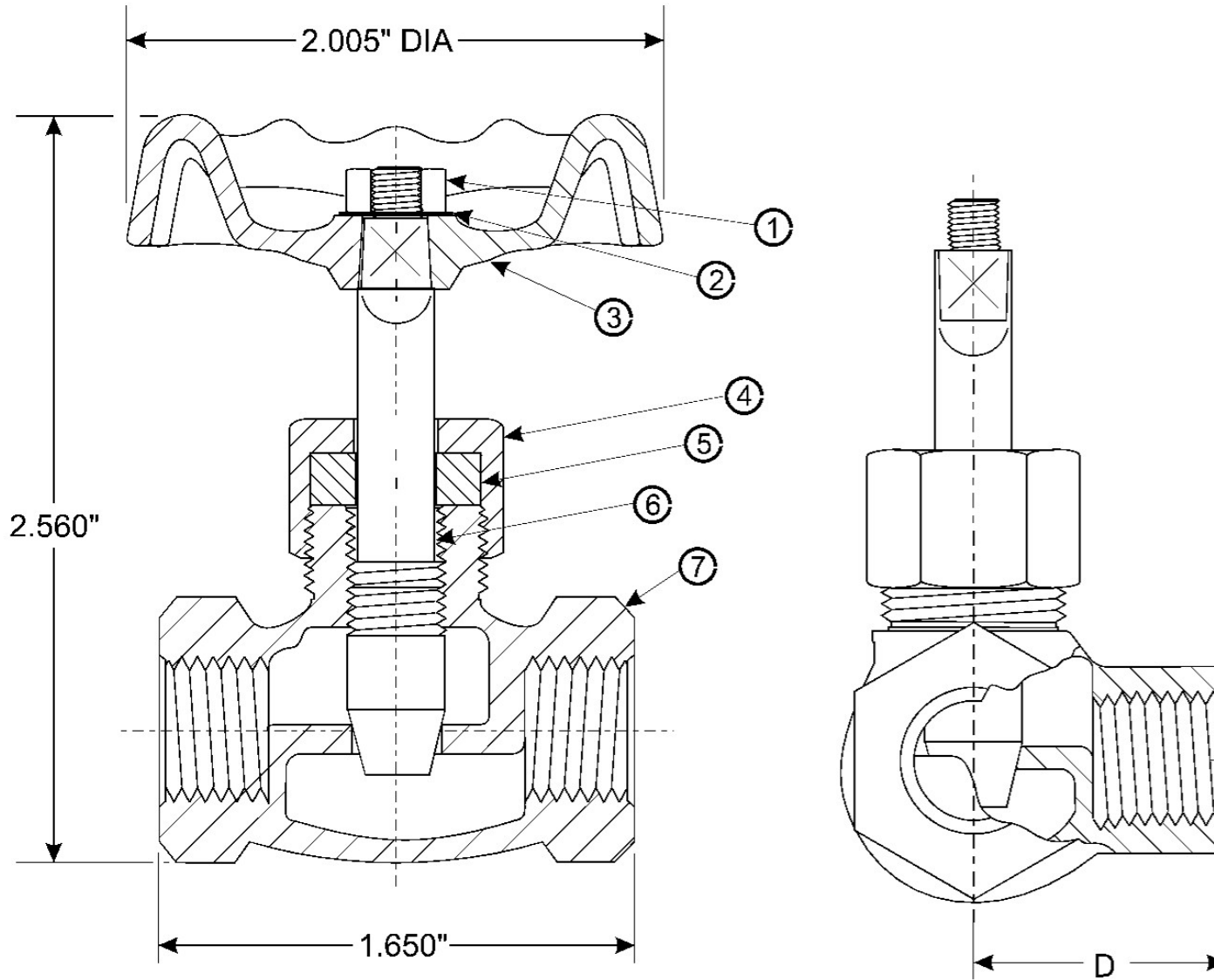


THIS DOCUMENT CONTAINS INFORMATION THAT IS CONFIDENTIAL AND PROPRIETARY TO BRECCO CORPORATION ("BRECCO"). THIS DOCUMENT IS FURNISHED ON THE UNDERSTANDING THAT THE DOCUMENT AND THE INFORMATION IT CONTAINS WILL NOT BE COPIED OR DISCLOSED TO OTHERS, AND WILL NOT BE USED EXCEPT FOR THE DIRECT BENEFIT OF BRECCO.

REVISIONS					
E.C.O. NO.	ZONE	LTR	DESCRIPTION	DATE	APPROVED



ITEM	QTY.	NOMENCLATURE OR DESCRIPTION	MATERIAL
9			
8	1	BRASS	BRASS
7	1	BODY	CAST BRASS
6	1	STEM	BRASS ROD
5	1	GLAND PACKING	GRAPHITE
4	1	PACKING NUT	BRASS ROD
3	1	HAND WHEEL	CAST IRON
2	1	NAME PLATE	ALUMINUM
1	1	HANDLE NUT	IRON

UNLESS OTHERWISE SPECIFIED: DIMENSIONS ARE IN INCHES TOLERANCES .XX + .01 - .005 ANGLES ± 30° FINISH		CONTRACT NO. DATE:	BRECCO CORPORATION 2633 N. 37 th Ave. Suite # 3 Phoenix, AZ. 85009
MATERIAL: NOTED HEAT TREAT		PREPAR. N. KLAFKA 07/12/99 CHECKED ENGIN.	
AutoCAD REV. 13		SIZE A	DRAWING FILE NOMENCLATURE 3WAYVLV.CDR
SHEET 1 OF 1		WT. ACT.	SHEET