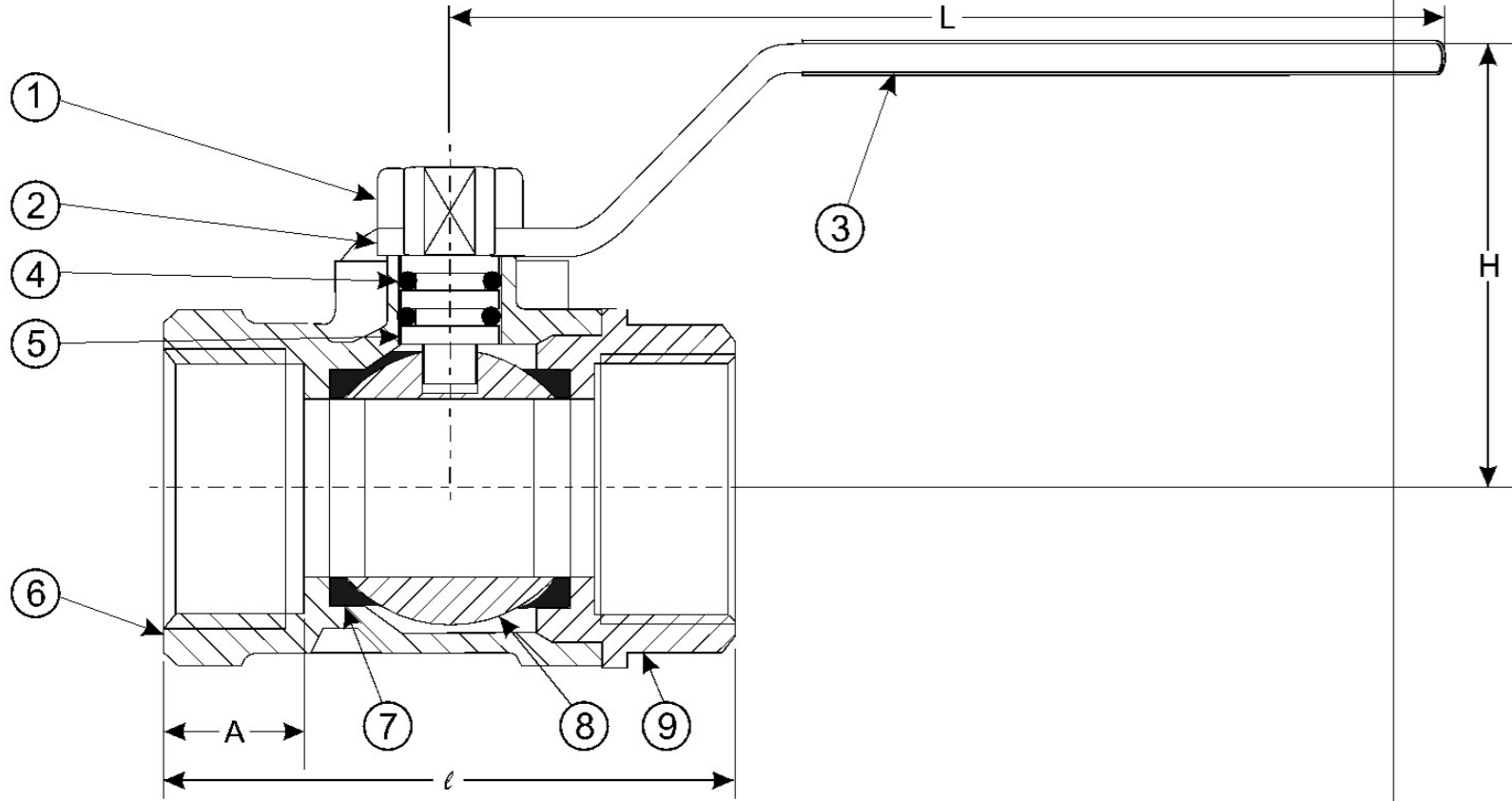


THIS DOCUMENT CONTAINS INFORMATION THAT IS CONFIDENTIAL AND PROPRIETARY TO BRECCO CORPORATION ("BRECCO"). THIS DOCUMENT IS FURNISHED ON THE UNDERSTANDING THAT THE DOCUMENT AND THE INFORMATION IT CONTAINS WILL NOT BE COPIED OR DISCLOSED TO OTHERS, AND WILL NOT BE USED EXCEPT FOR THE DIRECT BENEFIT OF BRECCO.

REVISIONS					
E.C.O. NO.	ZONE	LTR	DESCRIPTION	DATE	APPROVED



SIZE	1/2" (12.70 mm)	3/4" (19.05 mm)	1" (25.40 mm)	1-1/4" (31.75 mm)	1-1/2" (38.10 mm)	2" (50.80 mm)
<i>l</i>	1.890" (48.00 mm)	2.165" (55.00 mm)	2.638" (67.00 mm)	3.051" (77.50 mm)	3.307" (84.00 mm)	3.819" (97.00 mm)
H	1.574" (40.00 mm)	2.614" (41.00 mm)	2.087" (53.00 mm)	2.283" (58.00 mm)	2.756" (70.00 mm)	2.992" (76.00 mm)
D	0.500" (12.70 mm)	0.591" (15.00 mm)	0.787" (20.00 mm)	0.984" (25.00 mm)	1.260" (32.00 mm)	1.496" (38.00 mm)
L	3.346" (85.00 mm)	3.346" (85.00 mm)	4.724" (120.00 mm)	4.724" (120.00 mm)	6.102" (155.00 mm)	6.102" (155.00 mm)
A	0.472" (12.00 mm)	0.512" (13.00 mm)	0.669" (17.00 mm)	0.689" (17.50 mm)	0.709" (18.00 mm)	0.787" (20.00 mm)

ITEM	QTY.	NOMENCLATURE OR DESCRIPTION	MATERIAL
9	1	END PLUG	BRASS
8	1	BALL DISC	BRASS
7	2	SEAT	TEFLON
6	1	BODY	BRASS
5	1	STEM	BRASS
4	2	O-RING	NBR
3	1	COVER	PVC
2	1	HANDLE	STEEL
1	1	NUT	STEEL

UNLESS OTHERWISE SPECIFIED: DIMENSIONS ARE IN INCHES		CONTRACT NO. DATE:		BRECCO CORPORATION 2633 N. 37th Ave. Suite # 3 Phoenix, AZ. 85009	
TOLERANCES .XX + .01 .XXX + .005 ANGLES ± 0.3°					
MATERIAL NOTED		PREPARED: N. KLAFKA 10/20/97	CHECKED:	BALL VALVE	
HEAT TREAT		ENGINEER:			
FINISH		P/Ns = VABVSP050 VABVSP075 VABVSP100 VABVSP125 VABVSP150 VABVSP200		SIZE A	DRAWING FILE NOMENCLATURE BALLVLV2.CDR
		SIZE 1:1	WT. CALC	SHEET 1	