

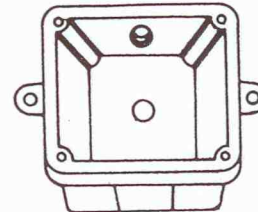
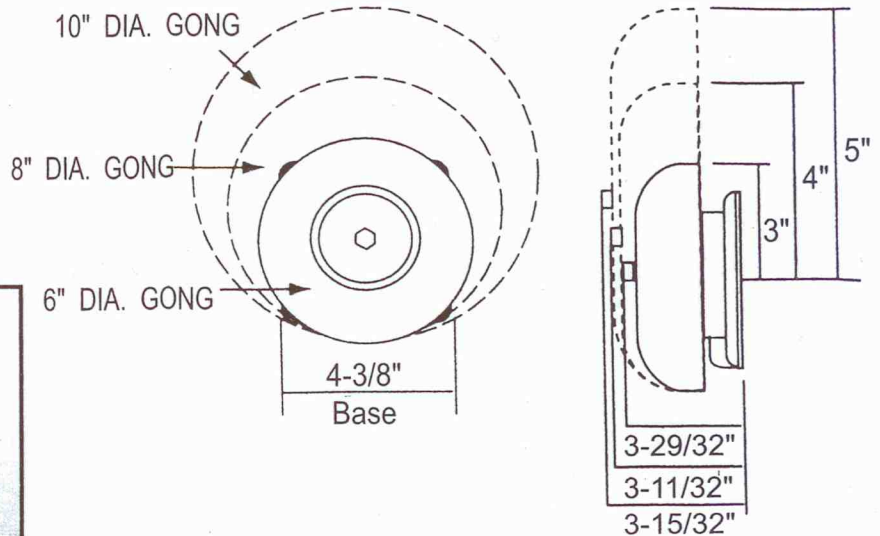
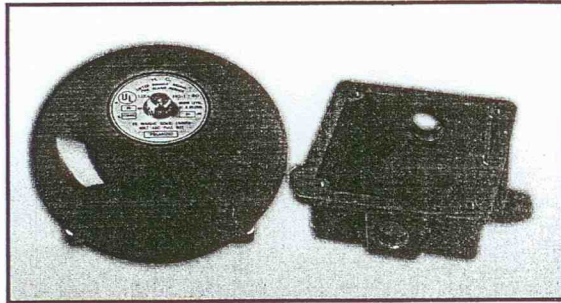


# FIRE ALARM BELLS

- Four wire, 120 and 24 voLt
- Indoor and outdoor installation
- Weatherproof backbox



120 VAZ : 6", 8", 10"  
24VAC : 6", 10"

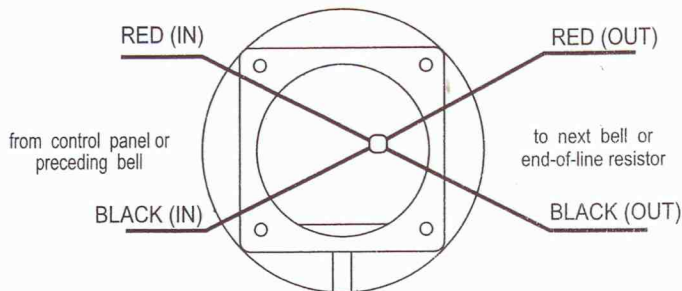


Back Box

RATING VOLTAGE	6 GONG SIZE		8 GONG SIZE		10 GONG SIZE	
	Rated Current	Sound Level at 1 Meter	Rated Current	Sound Level at 1 Meter	Rated Current	Sound Level at 1 Meter
6VDC	250mA	95dB	250mA	95dB	250mA	95dB
12VDC	180mA	95dB	180mA	95dB	180mA	96dB
24VDC	100mA	95dB	100mA	95dB	100mA	96dB
120VAC	25mA	95dB	25mA	95dB	25mA	98dB
220VAC	20mA	95db	20mA	95db	20mA	97db

## WIRING INSTRUCTIONS

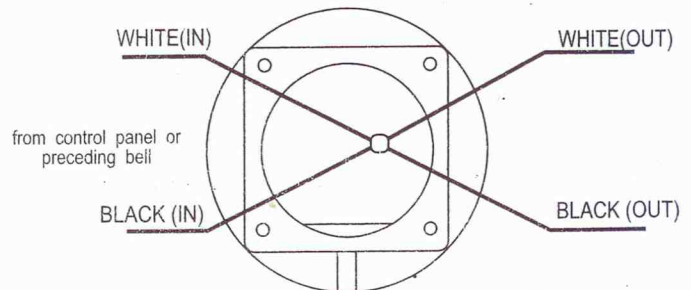
### D.C. BELLS (observe polarity)



When electrical supervisor is required use in and out leads as shown.

1. Observe polarity to ring DC bells
2. Red wires positive (+)
3. Black wires negative (-)

### A.C. BELLS



When electrical supervisor is required use in and out leads as shown.

1. When using AC bells, terminate each extra wire separately after last bell.
2. End-of-line resistor is not required on AC bells.

## INSTALLATION:

1. The bell should be mounted a minimum of 8 ft. from the floor or as close to the ceiling as possible.
2. Remove the gong
3. Connect the wiring (see diagram).
4. Mount bell mechanism to backbox (bell mechanism must be mounted with the striker pointing down).
5. Reinstall the gong (be sure that the gong positioning pin, in the mechanism housing, is in the hole in the gong).
6. Test all bells for proper operation that they can be heard where required (bells must be heard in all areas as designated by the authority having jurisdiction).

**Toll Free : (800)543-4194    www.breccocorp.com    Fax : (877)474-9248**