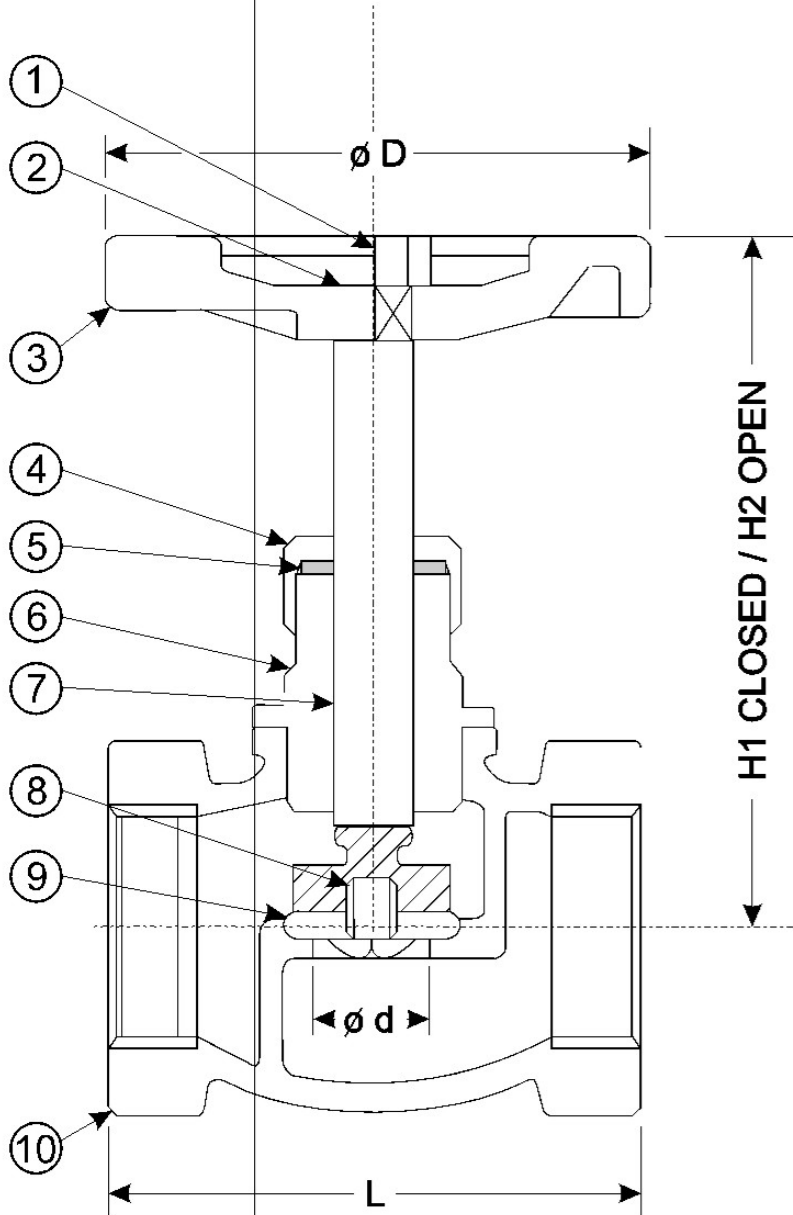
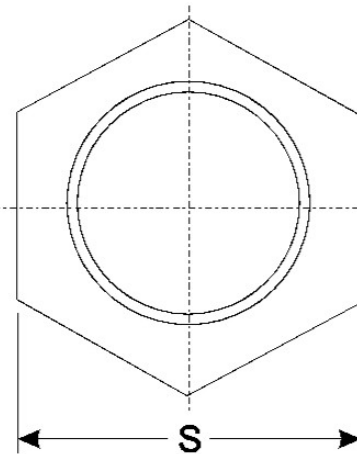


THIS DOCUMENT CONTAINS INFORMATION THAT IS CONFIDENTIAL AND PROPRIETARY TO BRECCO CORPORATION ("BRECCO"). THIS DOCUMENT IS FURNISHED ON THE UNDERSTANDING THAT THE DOCUMENT AND THE INFORMATION IT CONTAINS WILL NOT BE COPIED OR DISCLOSED TO OTHERS, AND WILL NOT BE USED EXCEPT FOR THE DIRECT BENEFIT OF BRECCO.

REVISIONS					
E.C.O. NO.	ZONE	LTR	DESCRIPTION	DATE	APPROVED



SIZE	1/2" (12.70 mm)	3/4" (19.05 mm)	1" (25.40 mm)	1-1/4" (31.75 mm)	1-1/2" (38.10 mm)	2" (50.80 mm)
ϕD	1.969" (50.00 mm)	2.205" (56.00 mm)	2.362" (60.00 mm)	3.031" (77.00 mm)	3.386" (86.00 mm)	3.937" (100.00 mm)
L	1.969" (50.00 mm)	2.185" (55.50 mm)	2.559" (65.00 mm)	2.933" (74.50 mm)	3.287" (83.50 mm)	3.937" (100.00 mm)
ϕd	0.512" (13. mm)	0.575" (14.60 mm)	0.763" (19.38 mm)	0.953" (24.20 mm)	1.183" (30.05 mm)	1.361" (34.58 mm)
S	1.122" (28.5 mm)	1.358" (34.50 mm)	1.594" (40.50 mm)	1.969" (50.00 mm)	2.224" (56.50 mm)	2.697" (68.50 mm)
H1	2.441" (62.00 mm)	2.874" (73.00 mm)	3.504" (89.00 mm)	3.858" (98.00 mm)	4.409" (112.00 mm)	5.315" (135.00 mm)
H2	2.835" (72.00 mm)	3.268" (83.00 mm)	3.898" (99.00 mm)	4.291" (109.00 mm)	4.961" (126.00 mm)	5.945" (151.00 mm)



10	BODY	BRONZE
9	SEAT PACKING	RUBBER
8	BOLT	BRASS
7	STEM	BRASS ROD
6	BONNET	BRASS
5	PACKING	TEFLON
4	PACKING NUT	BRASS ROD
3	HANDLE	CAST IRON
2	NAME PLATE	ALUMINUM
1	NUT	STEEL
ITEM QTY.	NOMENCLATURE OR DESCRIPTION	MATERIAL
PARTS LIST		

UNLESS OTHERWISE SPECIFIED: DIMENSIONS ARE IN INCHES TOLERANCES XX + .01 .XXX + .005 ANGLES ± 0° 30'	CONTRACT NO. DATE:
MATERIAL XXXXXXXXXXXXXX	PREPARED BY N. KLAFKA 10/17/97
HEAT TREAT	CHECKED
FINISH	ENGINEER
AutoCAD REV. 13	SIZE A

BRECCO CORPORATION 2633 N. 37th Ave. Suite # 3 Phoenix, AZ. 85009	
GLOBE VALVE	
SIZE A	DRAWING NO. GLOBE VALVE
SIZE 1:1	WT. CALC. SHEET 1