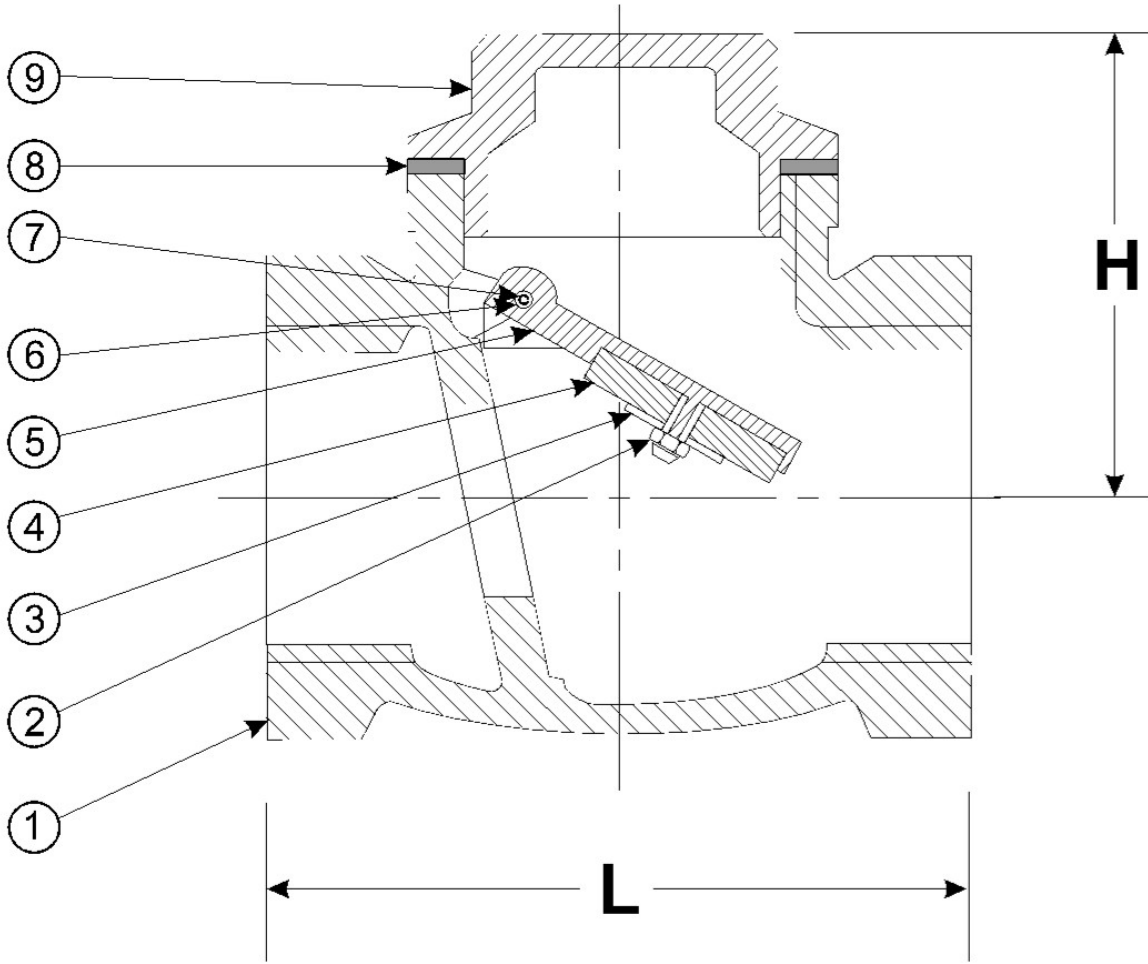


THIS DOCUMENT CONTAINS INFORMATION THAT IS CONFIDENTIAL AND PROPRIETARY TO BRECCO CORPORATION ("BRECCO"). THIS DOCUMENT IS FURNISHED ON THE UNDERSTANDING THAT THE DOCUMENT AND THE INFORMATION IT CONTAINS WILL NOT BE COPIED OR DISCLOSED TO OTHERS, AND WILL NOT BE USED EXCEPT FOR THE DIRECT BENEFIT OF BRECCO.

REVISIONS					
E.C.O. NO.	ZONE	LTR	DESCRIPTION	DATE	APPROVED



ITEM	QTY.	NOMENCLATURE OR DESCRIPTION	MATERIAL
9		CAP	BRASS
8		GASKET	TAN FIBRE
7		SCREW	BRASS
6		PIN	BRASS
5		CLAPPER	BRASS
4		SEAT DISC	RUBBER
3		WASHER	BRASS
2		NUT	BRASS
1		BODY	BRASS

DIM	SIZE					
	1/2" (12.70 mm)	3/4" (19.05 mm)	1" (25.40 mm)	1-1/4" (31.75 mm)	1-1/2" (38.10 mm)	2" (50.80 mm)
L	2.205" (56 mm)	2.362" (60 mm)	2.677" (68 mm)	3.110" (79 mm)	3.543" (90 mm)	4.173" (106 mm)
H	1.417" (36 mm)	1.614" (41 mm)	1.870" (47.5 mm)	2.087" (53 mm)	2.362" (60 mm)	2.795" (71 mm)

NOTE: THERE IS NO WASHER ATTACHED WITH 1/2" AND 3/4" SWING CHECK VALVE.

UNLESS OTHERWISE SPECIFIED:
DIMENSIONS ARE IN INCHES
TOLLKÄNFÄR
XX - .01 XXX + .305 ANGLES + 0°33'

CONTRACT NO. DATE:

PRFPAR. N. KLAFKA 10/15/97

CHECKED

ENGIN.

MATERIAL NOTED

HEAT TREAT

TINISH

AutoCAD REV. 13

BRECCO CORPORATION
2633 N. 37th Ave. Suite # 3
Phoenix, AZ. 85009

SWING CHECK VALVE

SIZE: A DRAWING FILE NOMENCLATURE: SWNINGVLV.CDR

SIZE: 1:1 W1. CALC. SHEET: 1